

ANDERS PEDESTAL LAVATORY

Cat. No.
3-300X



Faucet not included



Mounting hardware

W: 34-3/8
D: 22-3/8
H: 33-7/8

Column: 24-3/4" L x 9-3/4" W x 7-1/2" D

Interior Dimensions:

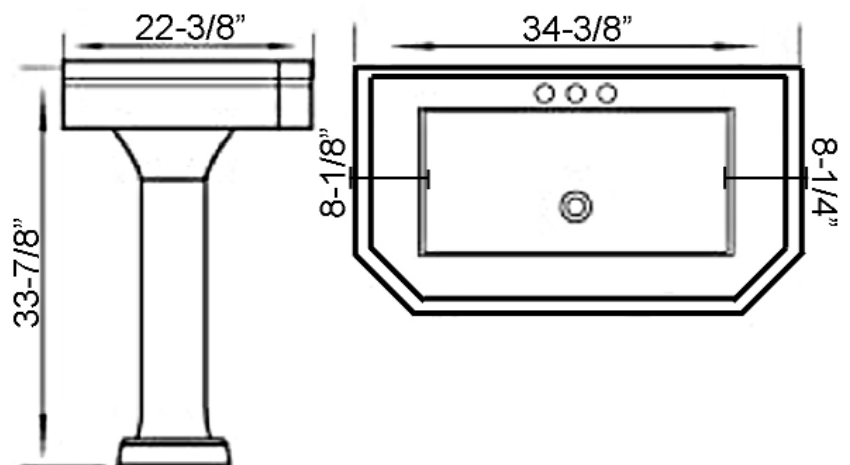
Basin Interior: 13-3/8" x 18-3/8"
Basin Depth: 7-1/8"
Back of basin to center of drain: 9-3/4"
Back of basin to center of faucet: 2-1/2"
Mount bolts height: 28-1/4"
Mount holes cc: 4"
Faucet and spout holes: 1-1/2"
Drain hole: 2"

Features:

- ▶ Made of vitreous china
- ▶ Mounting hardware included
- ▶ Available pre-drilled for single hole (3-3001), 4" centerset (3-3004), or 8" widespread (3-3008) faucet
- ▶ Pre-drilled overflow

Colors:
White

Compliance Certification
Meets or exceeds the following specifications: ASME 12.19.2.2013 for vitreous china fixtures.



Dimensions of fixture are nominal and may vary within the range of tolerances established by ASME Standard A112.19.2.2013. Dimensions and specifications subject to change without notice.